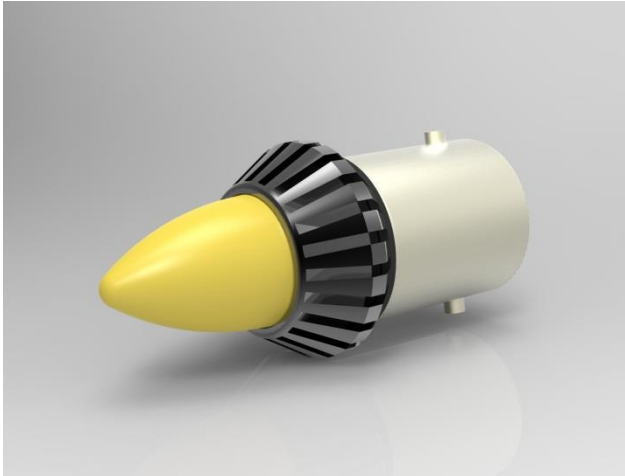


# Aviation 1317 LED



Direct replacement for 1317 filament lamps.

30,000 hour life!  
(300 times that of the filament lamp)

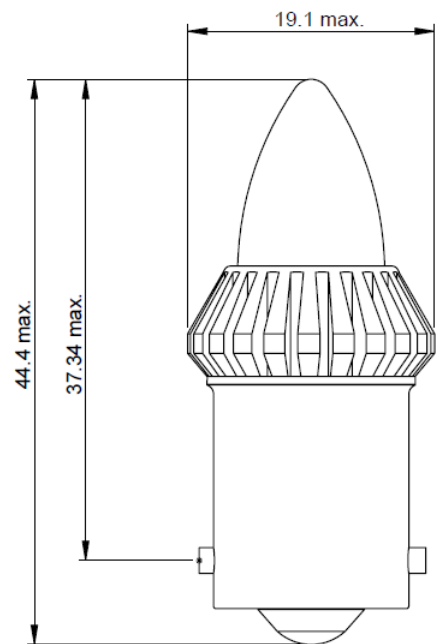
For use in emergency exit lights and signs.

FAA PMA Approval PQ1549CE supp. 44

## Features and Benefits

- Polarity insensitive.
- LED technology reduces power consumption and generates less heat.
- Tested for shock and vibration in accordance with RTCA DO-160G.
- Remote phosphor technology provides uniform light over ~ 270°.
- Eligibility:
 

Boeing	737-300/400/500/600/700/800/900
	747-400
	777-200/200LR/300/300ER
Embraer	EMB145
Bombardier	DHC-8-300



## Selected Models

Part Number	Description	Rating	Colour	Notes
1317LASMI	B-6 BA15s LED Aviation Lamp	6V, 200mA	Cool White	>50% energy saving per lamp.

1317LASMI is a direct replacement for 1317 & GE 1317.

Samples and datasheets are available on request.

**we make LEDs easy...[www.cml-it.com](http://www.cml-it.com)**