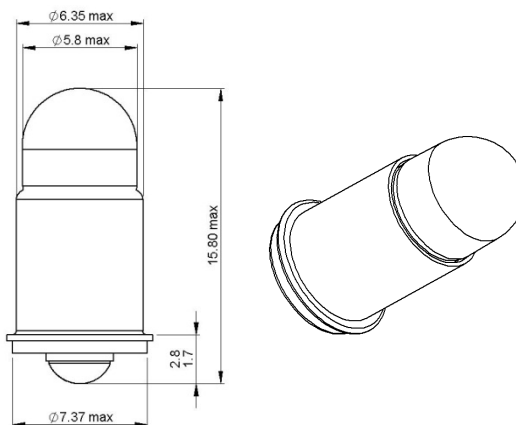


Part Number : **387LNCISMI**

Type	Size	Rating	Description
LED	6mm	28V	T-1¼ Midget Flange White LED

Dimensions (mm):

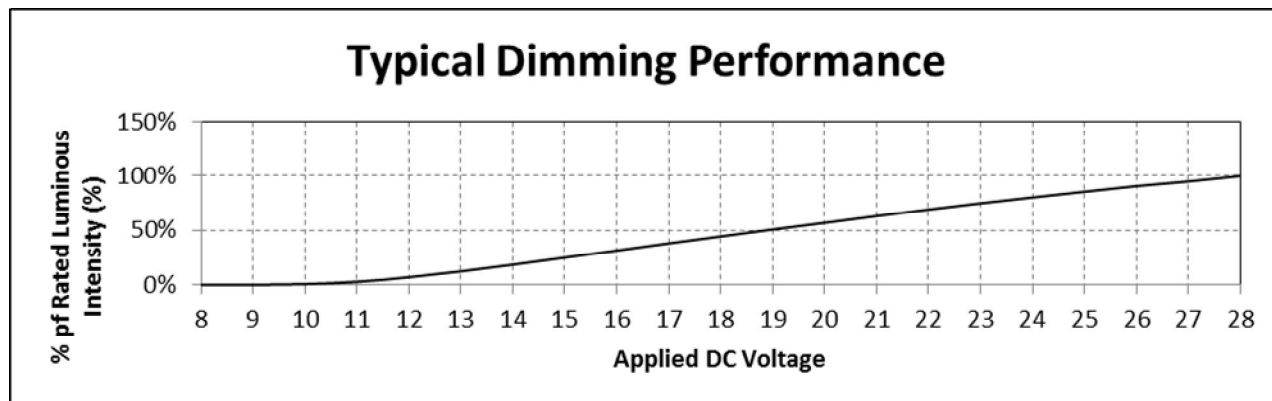


- PMA approved
- SX6s base to IEC61-1, (EN60061-1), sheet 7004-61-x.
- Forward facing applications
- Marking: P/N 387LNCISMI
FAA-PMA
CML 28V
- Polarity insensitive
- Shock & vibration tested in accordance with RTCA/DO-160F
- Noise current immunity 5.6mA

Operating data:

Voltage(AC/DC)	28
Current, mA(nom)	15
Light output, Lm(nom)	3.2*
Life(Hrs @ 25°C)	50,000
Operating temp(°C)	-40 to +60
Storage temp(°C)	-40 to +85
Colour	WARM WHITE

*Light output measured using a filament lamp photometry sphere



Issue # 2 5Dec12